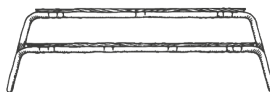
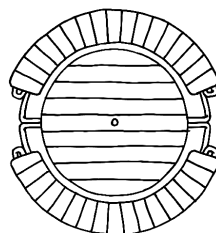




CONCRETE ANCHORING INSTRUCTIONS



ANCHORING THE TABLE THE CIRCLE THE BOW IN CONCRETE

INFORMATION

- This ground anchor can be used for fixing The Table / The Circle / The Bow to concrete.
- The anchor does not preclude theft.

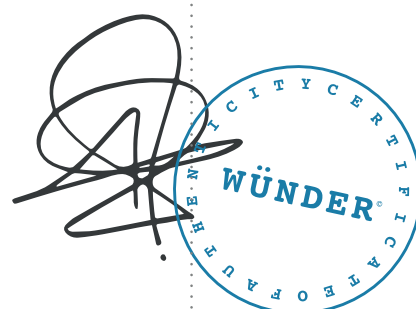
TOOLS

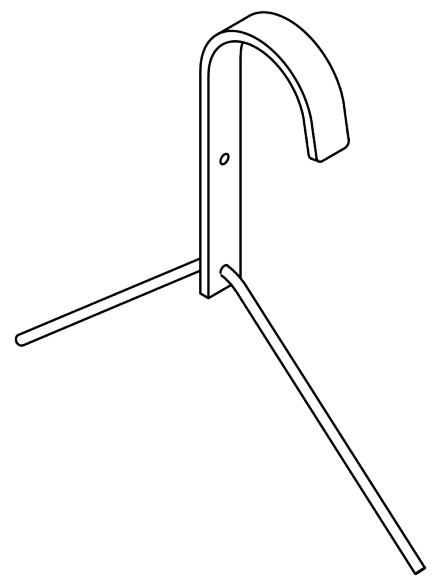
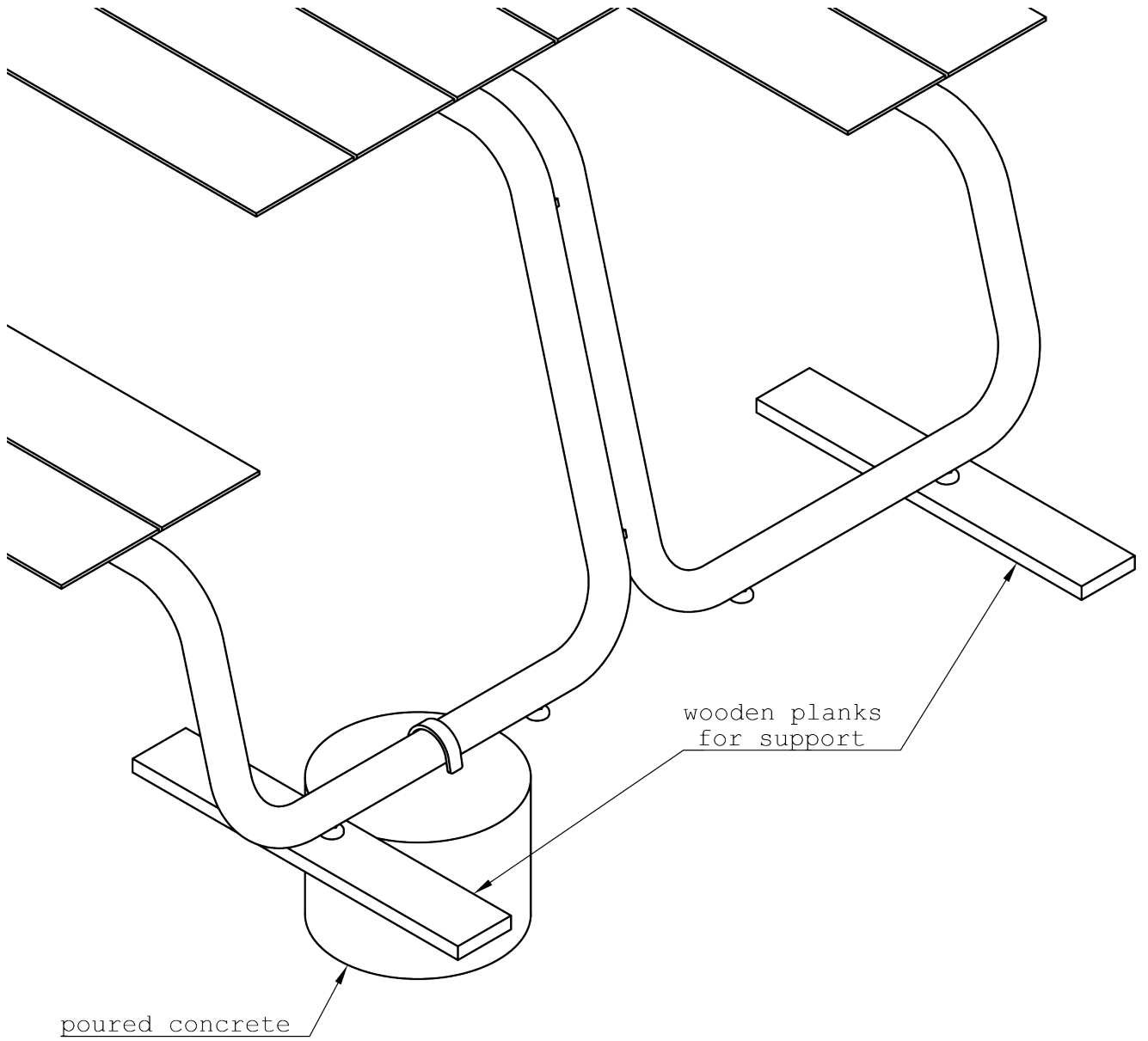
- Concrete anchor
- Rapid Concrete
- Wooden planks

CONTACT

Do you have any questions, comments or suggestions about a product or our website? Do not hesitate to contact us.

Wünder – Ovenhoek 5, 8800 Roeselare, Belgium
+32 (0) 51 79 17 31 – info@wunder.be





concrete anchor